

Four-Legged Stand

for ERESKO MF3/MF4 Tube Heads



Application

The four-legged stand provides support for the tube head of the ERESKO MF3/MF4 Series for various inspection requirements (site inspection or similar).

It allows a simple and quick set-up of the tube head to various exposure positions.

Features

- Angle indication for reproducible setting of irradiation direction
- Produced under ISO 9001 certified quality management system

Standard Delivery Scope

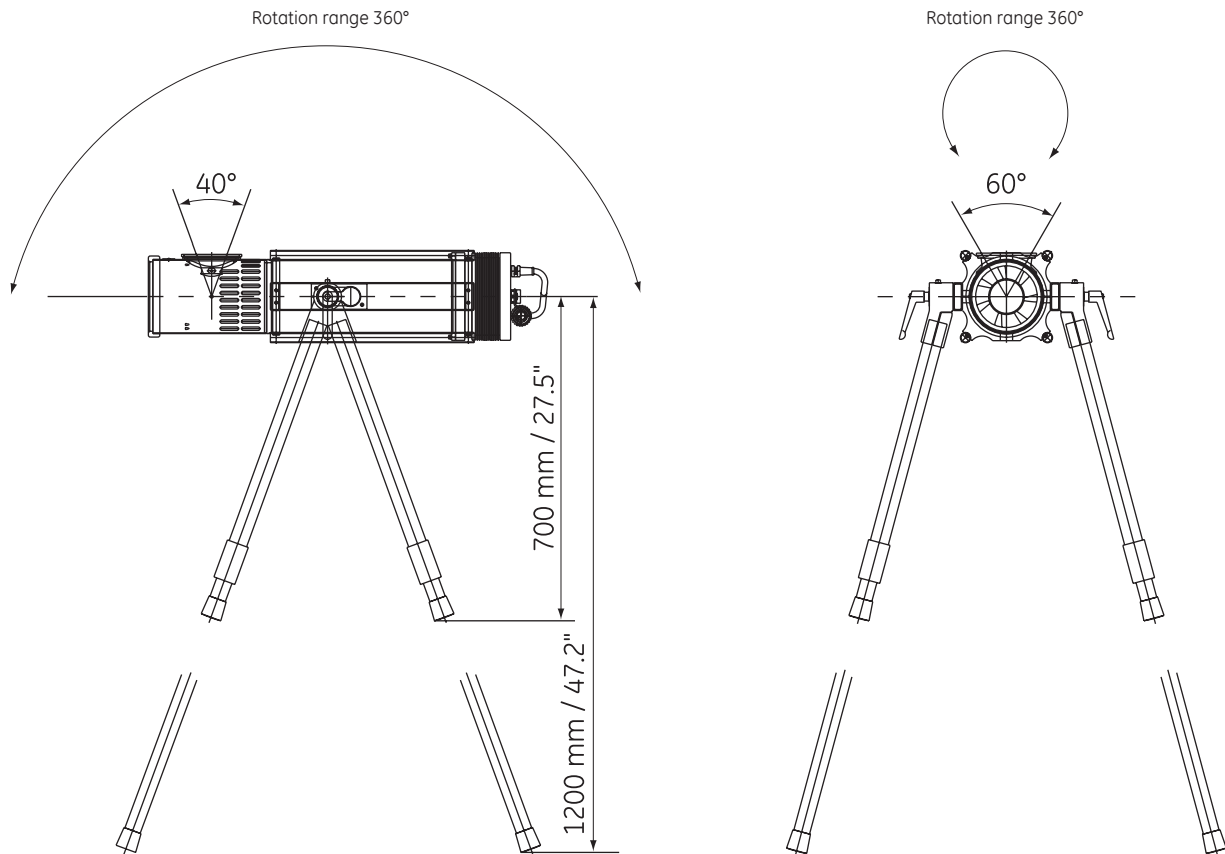
- Two-part four-legged stand incl. holding rails



GE imagination at work

Technical Data

Setting range	700 mm (27.5") - 1200 mm (47.2"), from floor level to beam center
Weight	10 kg (22 lbs)



www.gesensinginspection.com

GEIT-30043EN (10/09)

© 2008 General Electric Company. All Rights Reserved. Specifications are subject to change without notice. GE is a registered trademark of General Electric Company. Other company or product names mentioned in this document may be trademarks or registered trademarks of their respective companies, which are not affiliated with GE.

Contact: GE Sensing & Inspection Technologies GmbH, Bogenstrasse 41, 22926 Ahrensburg, Germany, T +49 (0)4102 807 0